

ARMY SERVICE FORCES CATALOG **ORD 9** SNL G-685

ORDNANCE SUPPLY CATALOG

Group G

(Standard Nomenclature List No. G-685)

List of All Parts

For

Trailer **Telephone Cable Splicer** **1/4-Ton K-38**

(Four Wheel Drive Auto Co.)

Distribution: See Inside Front Cover.

HEADQUARTERS, ARMY SERVICE FORCES, 15 JANUARY 1945

Headquarters, Army Service Forces,

Washington 25, D. C., 15 January 1945

Army Service Forces Ordnance Supply Catalog, ORD 9
SNL G-685 List of All Parts, for Trailer, Telephone Cable
Splicer, 1/4-Ton K-38 (Four Wheel Drive Auto Co.), has
been prepared under the supervision of the Chief of
Ordnance and is published for the information and
guidance of all concerned.

SPX 461 (1 January 1945).

By command of Lieutenant General SOMERVELL:

W. D. STYER,
Major General, General Staff Corps,
Chief of Staff.

OFFICIAL:

J. A. ULIO,
Major General,
The Adjutant General.

Distribution: AAF (10); AGF (10); ASF (2); Arm & Sv Bd (2); T of Opn (10);
Tech Sv (2); Sv C (10); PC & S (1) except Air Bases (0); PE 9 (5); Dist O, 9 (5);
Dist Br O, 9 (3); Reg O, 9 (3); Establishments, 9 (5); Decentralized Sub-O, 9 (3);
Tk Dep, 9 (5); Gen & Sp Sv Sch (10); USMA (2); A (10); CHQ (10); D (2); R 9 (2);
Bn 9 (2); C 9 (3).

ORDNANCE SUPPLY CATALOG

Group G

(Standard Nomenclature List No. G-685)

List of All Parts

for

Trailer

Telephone Cable Splicer

1/4-Ton K-38

(Four Wheel Drive Auto Co.)

Distribution: See Inside Front Cover.

HEADQUARTERS, ARMY SERVICE FORCES, 15 JANUARY 1945

Quick
Reference
Index

GENERAL
INFORMATION

ORD 9
LIST OF ALL PARTS

11 AXLE

13 WHEELS, HUBS AND
DRUMS

15 FRAME AND BRACKET

16 SPRINGS

18 BODY

22 MISCELLANEOUS BOD
AND CHASSIS
ACCESSORIES

23 GENERAL USE
STANDARDIZED PARTS

INDEXES

GENERAL INFORMATION

(ORD 9)

For full information relative to Standard Nomenclature Lists, the procedure followed and principles employed in the compilation, together with the purposes and uses thereof, see the Introduction to the Ordnance Catalog (ORD 1 IOC), the Ordnance Provision System Regulations (OPSR) and the Ordnance Publications for Supply Index (ORD 2 OPSI).

The Standard Nomenclature Lists for major items consists of three main parts: The Organizational Spare Parts and Equipment (ORD 7), the Higher Echelon Spare Parts and Equipment (Addendum) (ORD 8), and the List Of All Parts (ORD 9). These three subdivisions may be published separately or may be combined. In this publication the ORD 9's printed separately.

SCOPE

This List Of All Parts contains information for the identification of all parts which are considered items of service for the Trailer, Telephone Cable Splicer, ¼-Ton K-38 (Four Wheel Drive Auto Co.)

THIS PUBLICATION IS NOT TO BE USED FOR THE REQUISITIONING OF PARTS. IT IS TO BE USED ONLY FOR INFORMATION AND IDENTIFICATION.

FEATURES OF THIS PUBLICATION

The following paragraphs explain important features of this catalog.

STANDARDIZED GOVERNMENT GROUPING

The parts listed in this catalog are divided into groups and subgroups in accordance with the Standardized Government Grouping. This division into groups facilitates the location and identification of each part. The Standardized Government Grouping as adapted to this catalog is outlined on page 00.

ILLUSTRATIONS

Each illustration is identified by a figure number and title, and an index of all figures and the pages on which they appear will be found in the back of the book. Items appearing on the illustrations are identified in the accompanying legend by noun, number and group.

ATTACHING PARTS

Attaching parts, such as bolts, nuts, rivets, screws, washers, etc., are indented immediately under the item which they attach.

INDEXES

Indexes are listed in the back of the book in the following sequence: Illustrations, Alphabetical, Numerical (Ordnance Drawing Numbers, Manufacturers' and Vendors' Part Numbers, and Official Stock Numbers).

OFFICIAL STOCK NUMBER

The prefix letter and number of the official stock number (i.e., G104-XX-XXXXX, G103-XX-XXXXX or G167-XX-XXXXX) signifies that the particular part of component was originally coded under the major item designation for that SNL, and does NOT mean that the part is used ONLY in that major item. All subsequent lists for different vehicles will include the same official stock number for this same part.

The major item covered by this catalog is designated as a special equipment vehicle as defined in paragraph 3, AR 850-15, dated 28 August 1943.

IDENTIFICATION PLATES

The serial number of the vehicle is stamped on the identification plate which is riveted to the lower left front corner of the body.

DEFINITION OF LOCATIONAL TERMS

All like parts pertinent to the vehicle which are not interchangeable are designated as LEFT and RIGHT in respect to the vehicle when it is viewed from the rear facing forward.

MANUFACTURER'S IDENTIFICATION SYMBOL

Identification symbols have been assigned to manufacturers' part numbers. These symbols are prefixed to the part numbers in this book and a list of manufacturers is shown on page 00.

LIST OF ABBREVIATIONS

A list of the abbreviations appearing in this book is shown on page 00.

If the use, or function, or location of the part is known, refer to the illustration index to determine in which plate or plates the part is likely to appear; then turn to these plates until a picture of the part is found. The arrow pointing to the part will lead out to a listing of the name, part number and sub-group number, which will permit locating the complete listing of the part.

MANUFACTURER'S IDENTIFICATION SYMBOLS

Complying with Ordnance Department Specifications, original manufacturer's name and model or part number is shown with the listing of each part that is not the exclusive product of The Four Wheel Drive Auto Company.

AD	Alemite Division, 1826 Diversey Pkwy., (Stewart-Warner Corp.), Chicago 13, Ill.
ATT	American Telephone & Telegraph Co., 195 Broadway, New York, N. Y.
FWD	Four Wheel Drive Auto Company, 100 E. 12th Street, Clintonville, Wisconsin
TIM	Timken Roller Bearing Co. (The), 1935 Kelley Avenue, Canton, Ohio

STANDARDIZED GOVERNMENT GROUPING

11—AXLE GROUP

1108 Axle Beam

13—WHEELS, HUBS, AND DRUMS GROUP

1301 Wheel Assembly: Bearings;
Seals
1301A Bearings
1301B Seals
1302 Hub Caps

15—FRAME AND BRACKETS GROUP

1500 Spring Bracket
1501A Draw Bar

16—SPRINGS

1601A Springs
1602 Shackles and Spring Attaching
Parts

18—BODY GROUP

1813 Special Body

22—MISCELLANEOUS BODY AND CHASSIS AND ACCESSORIES GROUP

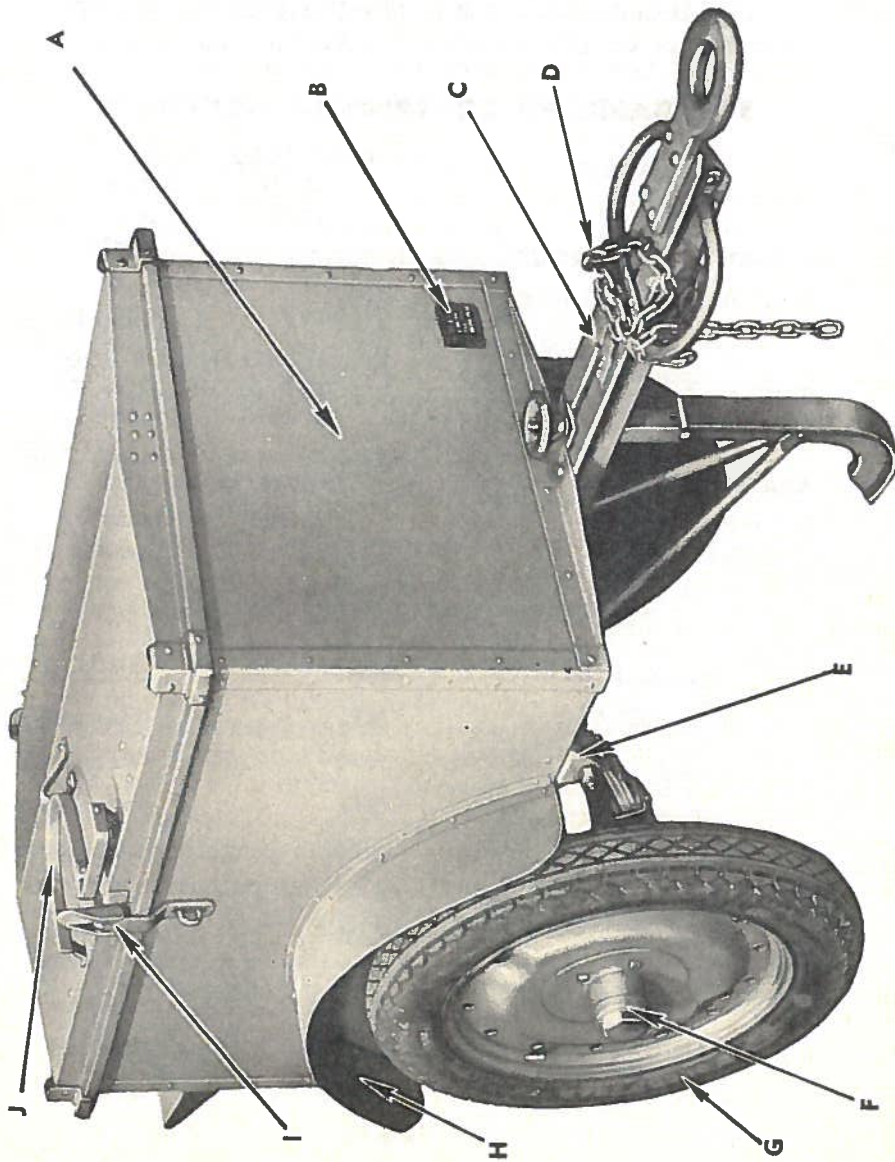
2203 Identification Plate

23—GENERAL USE AND STANDARDIZED PARTS GROUP

2304C Chain
2306 Tires and Tubes

LIST OF ABBREVIATIONS

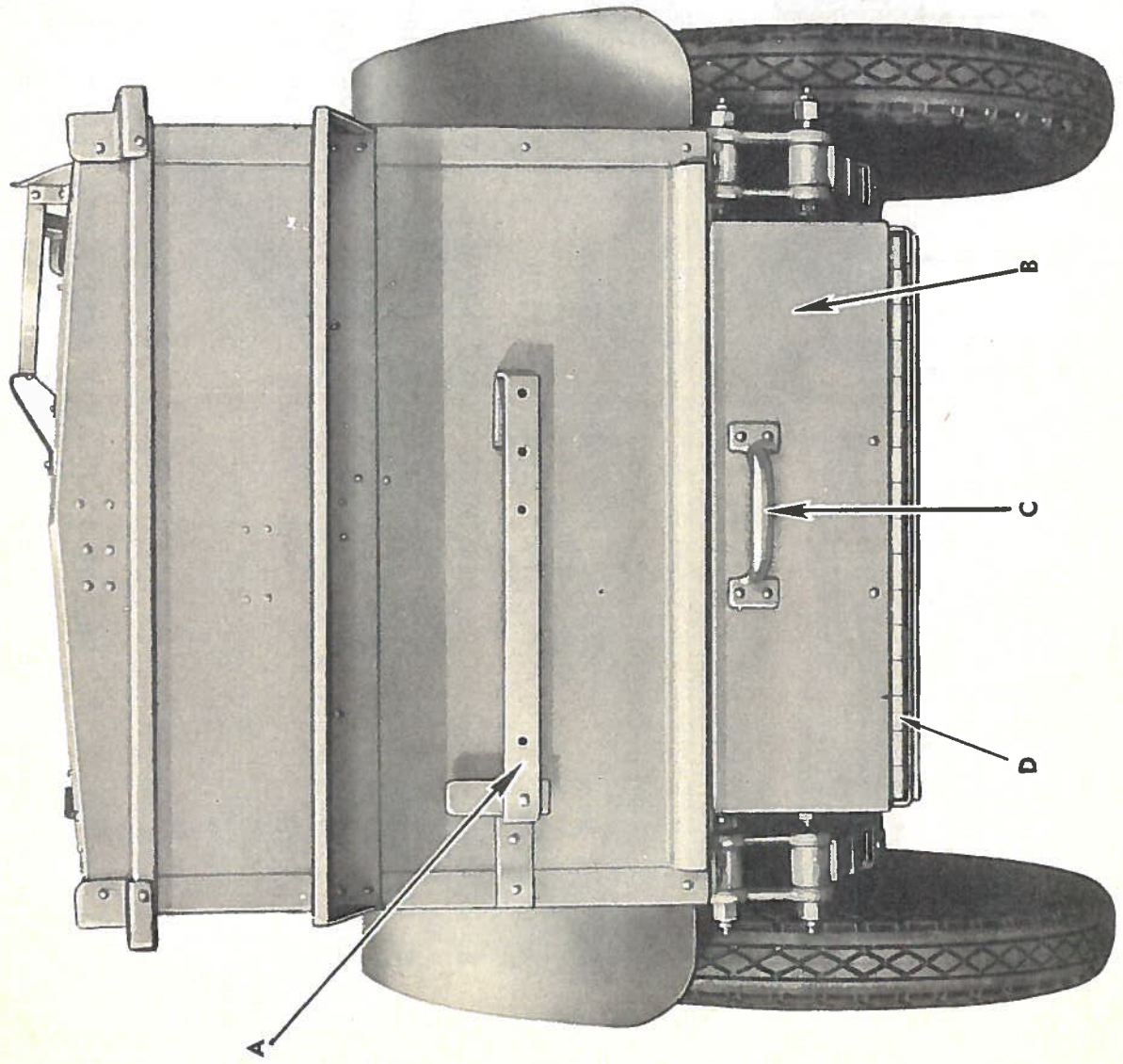
alloy-S. alloy steel	NC National Coarse
diam. diameter	NF National Fine
dld. drilled	NPT National Pipe Thread
dld. f/c pin drilled for cotter pin	O.D. outer diameter
fn. finished	rd-hd. round head
ft. foot or feet	S. steel
hd. head	SAE Society of Automotive Engineers
hex. hexagonal-head	s-fin. semi-finished
hv. heavy	std. standard
I.D. inner diameter	w/ with
in. inch	w/o without



Key	Item	Piece Mark	Group
A	BODY, special	ATT-A-78-79	1813
B	PLATE, identification	FWD-105031	2203
C	TONGUE, assy.	ATT-174-A-77	1501A
D	CHAIN	ATT-174-A-77-A	2304C
E	BRACKET, spring	ATT-17768	1500
F	WHEELS, w/HUBS and DISC, BEARINGS, CUPS, and OIL SEALS.	FWD-18D-H-1970	1301
G	TIRE	FWD-58124	2306
H	FENDER	ATT-237-B-67	1813
I	LOCK, assy.	ATT-237-B-82	1813
J	HOLDER, lantern	ATT-237-B-61	1813

FIGURE A—TRAILER, TELEPHONE CABLE SPLICER, 1/4-TON K-38, RIGHT FRONT VIEW

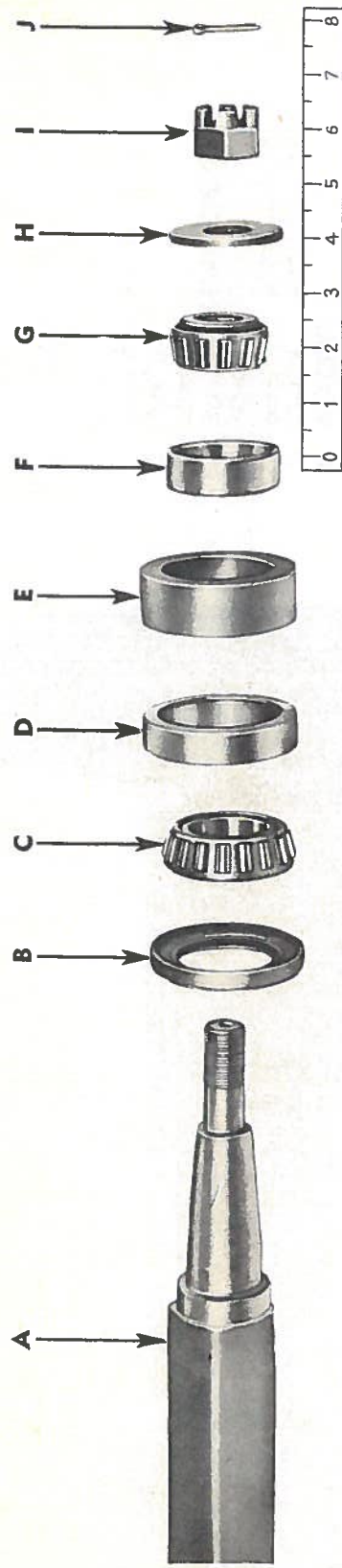
RA PD 301674



Key	Item	Piece Mark	Group
A	BRACKET, license plate and tail light.	ATT-117-E-15	1813
B	BOX, rear	ATT-237-B-47	1813
C	PULL, door	FWD-43KK-482	1813
D	HINGE, box	ATT-117-E-16	1813

FIGURE B—TRAILER, TELEPHONE CABLE SPLICER, 1/4-TON K38, REAR VIEW

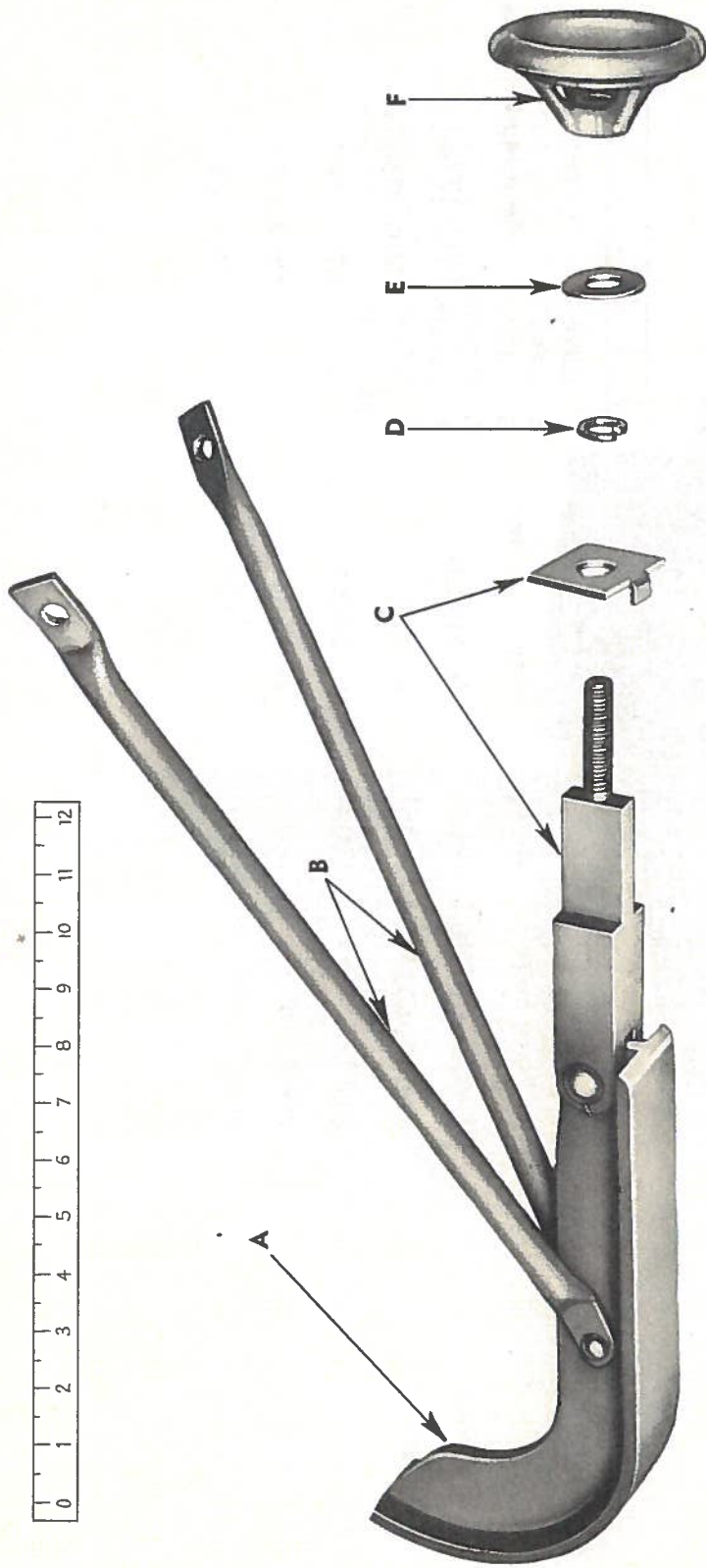
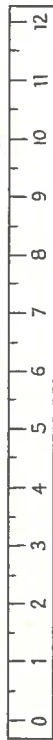
RA PD 301675



Key	Item	Piece Mark	Group	Key	Item	Piece Mark	Group
A	BEAM, axle	FWD-248-B-25	1108	F	CUP, outer	FWD-9A-09196	1301A
B	RETAINER, oil seal	FWD-18D-T50000	1301B	G	CONE, outer	FWD-9A-09074	1301A
C	CONE, inner	FWD-9A-14137A	1301A	H	WASHER, axle	FWD-4406	1108
D	CUP, inner	FWD-9A-14276	1301A	I	NUT, axle	FWD-4255	1108
E	ADAPTER	FWD-18D-A-88	1301A	J	PIN, cotter, axle	FWD-4361	1108

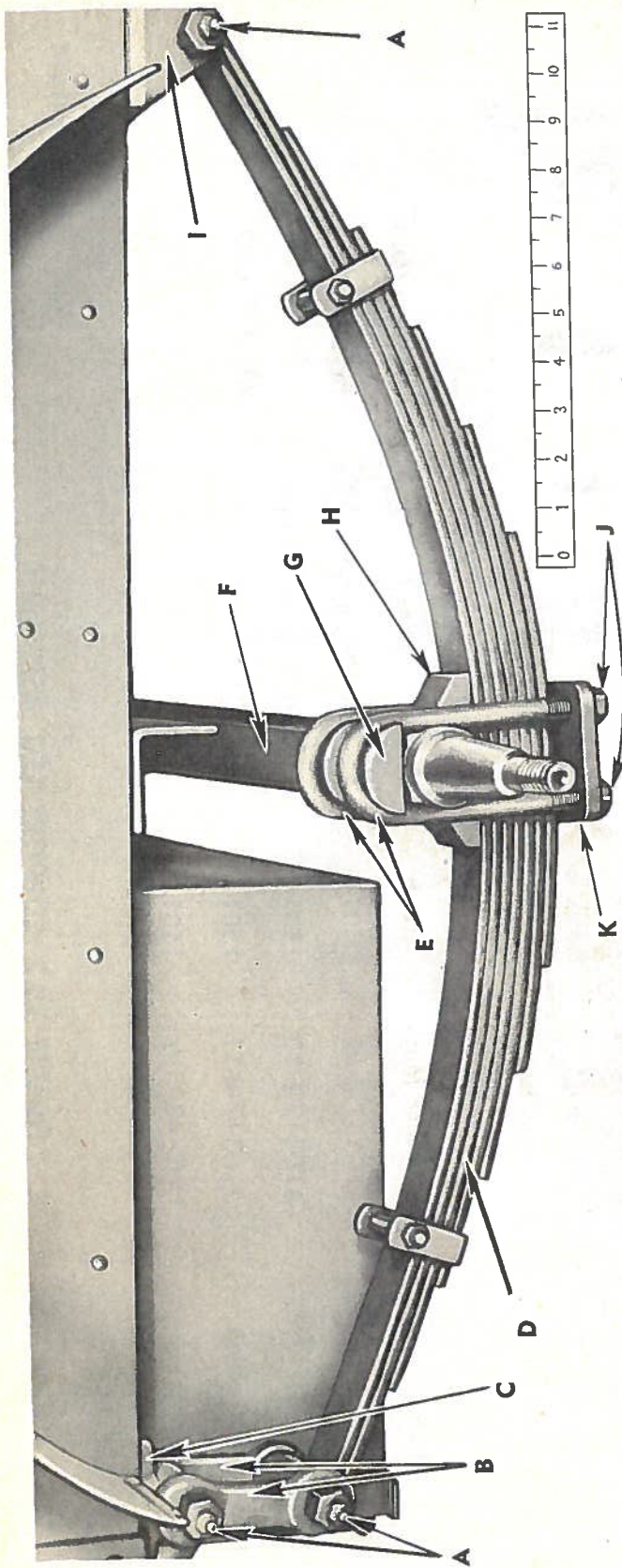
FIGURE 11-1—AXLE AND WHEEL BEARING ASSEMBLY

RA PD 301676



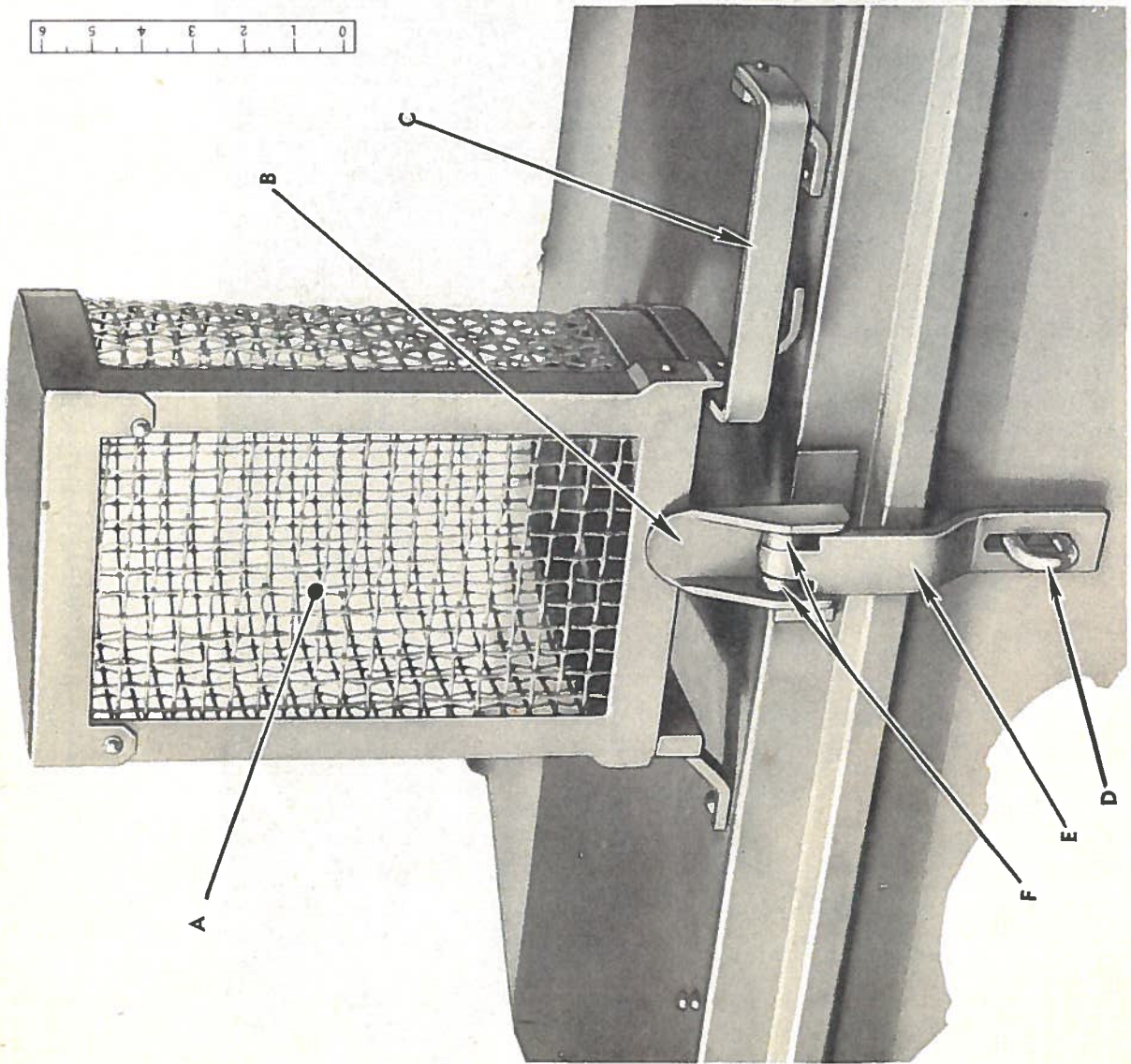
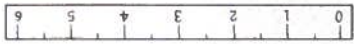
Key	Item	Piece Mark	Group	Key	Item	Piece Mark	Group
A	LEG, lower section	ATT-117-E-12	1501A	E	WASHER, plain	FWD-6132	1501A
B	BRACE, leg	ATT-117-E-13	1501A	F	NUT, adjusting, hand, support leg	ATT-117-E-82	1501A
C	LEG, upper section	ATT-117-E-11	1501A				
D	WASHER, lock	FWD-4305½	1501A				

FIGURE 15-1—SUPPORT LEG ASSEMBLY



Key	Item	Piece Mark	Group	Key	Item	Piece Mark	Group
A	FITTING	FWD-25A-1980	1602	G	SPACER	FWD-17769	1602
B	LINK	FWD-105035	1602	H	PAD	FWD-105004	1602
C	BRACKET, w/bushing, assy.	ATT-17768	1500	I	BRACKET	ATT-17767	1500
D	SPRING, assy.	FWD-17802	1601A	J	NUTS	FWD-4216	1602
E	U-BOLT	FWD-17770	1602	K	PLATE	FWD-17801	1602
F	BEAM, axle	FWD-248-B-25	1108				

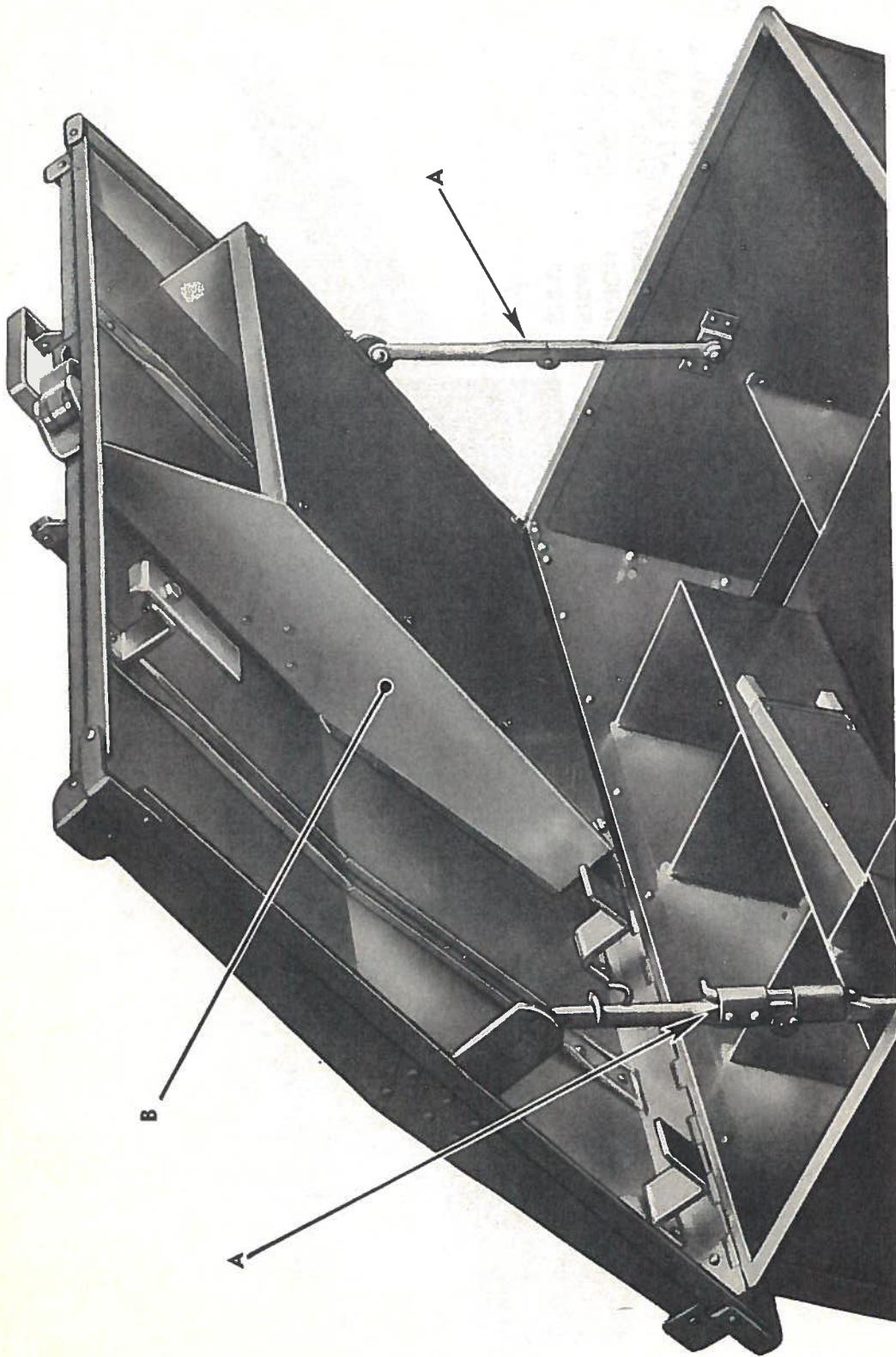
FIGURE 16-1—SPRING ASSEMBLY



Key	Item	Piece Mark	Group
A	GUARD	ATT-178-A-42	1813
B	HOLDER	ATT-237-B-61	1813
C	RETAINER	FWD-105106	1813
D	U-BOLT	FWD-105103	1813
E	STRAP	FWD-105104	1813
F	STRAP	FWD-105105	1813

RA PD 301679

FIGURE 18-1—COVER LOCK AND LANTERN GUARD



Key	Item	Piece Mark	Group
-----	------	------------	-------

A	JOINT, top, assembly	ATT-167-A-20	1813
---	----------------------	--------------	------

B	COMPARTMENT, top		
---	------------------	--	--

FIGURE 18-2—SPLICER BODY COVER

RA PD 301680

GROUP 11—AXLE

Figure Number	Official Stock Number Order and Store by This Number	Part Number		I T E M	Quant. Reqd. Per Unit Assy.
		Ordnance	Manufacturer		
Col. 1	Col. 2	Col. 3	Col. 4	Col. 5	Col. 6
GROUP 11—AXLE					
1108—AXLE BEAMS					
11-1			FWD-248-B-25	BEAM, axle, 1 1/4 in. square, 34 in. long, threaded (ATT-248-B-25)	1
11-1	H001-0713004	103050	FWD-4255	NUT, castle, S., 3/4-16NF-2	2
11-1	H001-0811054	103387	FWD-4361	PIN, cotter, split, S., (type B), 1/2 in. x 1 1/2 in.	2
11-1	H001-1530015	103346	FWD-4406	WASHER, plain, S., SAE std., 3/4 in. (1/4 in. I.D. x 1 1/2 in. O.D. x 1/2 in. thick)	2
GROUP 13—WHEELS, HUBS AND DRUMS					
1301—WHEEL ASSEMBLY: BEARINGS; SEALS					
A			FWD-18D-H-1970	WHEEL, w/HUB and DISC, BEARINGS, CUPS, and OIL SEALS, assembly (special) (Disc wheel 4.00 x 18 drop center)	2
1301A—BEARINGS					
11-1			FWD-18D-A-88	ADAPTER, wheel bearing	2
11-1	H012-6136380	705402	FWD-9A-14137A	CONE and ROLLERS, taper roller bearing, assembly (1.3750 bore, 2.7170 O.D., 0.7813 width) (for wheel bearing, inner) (TIM-1413A)	2
11-1	H012-6132140	705370	FWD-9A-09074	CONE and ROLLERS, taper roller bearing, assembly, (0.750 bore, 1.9380 O.D., 0.6875 width) (for wheel bearing, outer) (TIM-09074)	2
11-1	H012-6217320	706821	FWD-9A-14276	CUP, taper roller bearing (for wheel bearing, inner)	2
11-1	H012-6215430	706807	FWD-9A-09196	CUP, taper roller bearing (for wheel bearing, outer) (TIM-09196)	2
1301B—SEALS					
11-1			FWD-18D-T50000	RETAINER, oil seal, inner wheel bearing (TIM-50000)	2
1302—HUB CAPS					
A			FWD-18D-C352	CAP, wheel hub	2

15-1	H001-0924226	104103	FWD-6185	RIVET, steel, b-hd., 3/4 in. x 1 1/2 in.	1
15-1	H001-1516011	103329	FWD-117-E-82	NUT, adjusting, hand support leg (ATT-117-E-82)	1
15-1	H001-1530011	103343	FWD-4305 1/2	WASHER, lock, hv., S., 1/2 in. (0.515 I.D. x 0.859 O.D., 1/4 in. x 1/4 in. thick)	1
A			FWD-6132	WASHER, plain, S., SAE std., 1/2 in. (1/2 in. I.D. x 1 1/8 in. O.D. x 3/2 in. thick)	1
			ATT-174-A-77	TONGUE, assembly	1
			ATT-237-B-59L	(Includes:	
			ATT-237-B-59R	ANGLE, left	
			ATT-117-E-10	ANGLE, right	
			ATT-237-B-60	EYE, coupling	
				HANDLE, grip)	
				GROUP 16--SPRINGS	
				1601A--SPRINGS	
16-1			FWD-17955	LEAF, spring, main No. 1, w/oil-less BUSHINGS, assembly	2
			FWD-17956	LEAF, spring, No. 2	2
			FWD-17957	LEAF, spring, No. 3	2
			FWD-17958	LEAF, spring, No. 4, w/spring CLIPS, assembly	2
			FWD-17959	LEAF, spring, No. 5	2
			FWD-17960	LEAF, spring, No. 6	2
			FWD-17961	LEAF, spring, No. 7	2
			FWD-17802	SPRING, main, w/spring CLIPS and BUSHINGS, assembly (7 leaves)	2
				1602--SHACKLES AND SPRING ATTACHING PARTS	
16-1			FWD-105084	BOLT, dld.f/c-pin, 1/2-20NF-2 x 3 1/4 (spring shackle)	6
			FWD-4045	BOLT, hex-hd., s-fin., alloy-S., 3/8-24NF-2 x 2 1/4 (spring tie)	2
16-1			FWD-25A-1980	FITTING, lubricating, 1/4-27NPT, straight (shackle bolt) (AD-1980)	6
			FWD-105035	LINK, spring shackle	4
			FWD-4252	NUT, castle, S., (NF), 1/2-20NF-2 (spring shackle bolt)	6
			FWD-4042	NUT, regular, hex., s-fin., S., 3/8-24NF-2 (spring tie bolt)	4
16-1			FWD-4216	NUT, reg., hex., s-fin., S., 1/2-20NF-2 (U-Bolt)	16
16-1			FWD-105004	PAD, spring axle base	2
			FWD-4352	PIN, cotter, split, S., 1/2 in. x 1 in. (spring shackle bolt nut)	6
			FWD-17801	PLATE, spring clip	2
			FWD-17769	SPACER, spring clip	2
			FWD-17770	U-BOLT, main spring, 1/2-20NF-2 x 5 3/4	4
				GROUP 18--BODY	
				1813--SPECIAL BODY	
			ATT-237-B-81	BOLT, box hinge lock	1
			ATT-237-B-47	BOX, rear	1
			ATT-117-E-15	BRACKET, license plate and tail light (riveted to body)	1
			ATT-117-E-1	BRACKET, shield, front	1
			FWD-4250	NUT, castle, S., 3/8-24NF-2	1
			FWD-4352	PIN, cotter, split, S., 3/2 in. x 1 in.	1
			FWD-5733	SCREW, cap, hex-hd., S., dld.f/c-pin, 3/8-24NF-2 x 1	1

GROUP 18 - BODY (Cont'd)

Figure Number	Official Stock Number Order and Store by This Number	Part Number		Quant. Reqd. Per Unit Assy.	
		Ordinance	Manufacturer		
Col. 1	Col. 2	Col. 3	Col. 4	Col. 5	Col. 6
1813—SPECIAL BODY (Cont'd)					
A			ATT-117-E-2	BRACKET, shield, rear (riveted)	2
A			ATT-237-B-67	FENDER, left	1
18-1			ATT-237-B-67	FENDER, right	1
B			ATT-178-A-42	GUARD, lantern (Optional equipment, not supplied unless specified)	1
A			ATT-117-E-16	HINGE, rear box	1
A			ATT-112-E-96	HINGE, top	1
18-2			ATT-237-B-61	HOLDER, lantern	1
			ATT-167-A-20	JOINT, top, assembly (Includes 1 right hinge, 1 left hinge, (with pin detail))	1
A				BOLT, planer head, 1/2-13NC-1 x 1 (special)	2
				NUT, jam, 1/2-13NC-1	2
				LOCK, assembly	1
A	H001-0713024	103025	ATT-237-B-82	NUT, castle, S., 3/8-24NF-2	1
	H001-0811040	103374	FWD-4350	PIN, cotter, split, S., 3/8 in. x 1 in.	1
	H001-1014073	222951	FWD-4006	SCREW, cap, hex-hd., S., dld./c-pin, 3/8-24NF-2 x 1 1/4	1
B			FWD-43KK-482	PULL, door, rear (PHC-482)	1
18-1			FWD-105106	RETAINER, lantern guard	1
18-1			FWD-105104	STRAP, back, long (lock assembly)	1
18-1			FWD-105105	STRAP, back, short (lock assembly)	1
18-1			FWD-105103	U-BOLT, 5/8 in. x 2 1/4 in. (latch lock)	1
			FWD-105107	PIN, cotter, steel, 5/8 in. diam. x 1 1/4 in. long (latch lock U-bolt)	1
	H001-0718002	220065	FWD-4217	NUT, regular, hex., s-fin., S., 5/8-18NC-2 (latch lock U-bolt)	4
	H001-1516008	108579	FWD-4318	WASHER, lock, hv., S., 5/8 in. (.328 I.D. x .578 O.D., 1/2 in. x 3/4 in. thick) (latch lock U-bolt nut)	2
GROUP 22 - MISCELLANEOUS BODY AND CHASSIS ACCESSORIES					
A			FWD-105031	2203—IDENTIFICATION PLATE PLATE, identification	1
GROUP 23—GENERAL USE STANDARDIZED PARTS					
2304C—CHAINS					
A			FWD-174-A-77-A	CHAIN, safety, towing 3/4 in. (long link type) 7 ft. long—3 1/4 in. x 2 1/4 in. link on one end and hook on the other end (ATT-174-A-77-A)	1
2306—TIRES AND TUBES					
A	H014-512750			TIRE, pneumatic, new, 4.00-18, 4 ply, motorcycle type, regular tread	2
A	H014-519332			TUBE, new, 4.00-18, motorcycle type	2

ILLUSTRATION INDEX

<i>Figure No.</i>	<i>Title</i>	<i>Page</i>
A	TRAILER, RIGHT FRONT VIEW	4
B	TRAILER, REAR VIEW	5
11-1	AXLE AND WHEEL BEARING ASSEMBLY.	6
15-1	SUPPORT LEG ASSEMBLY	7
16-1	SPRING ASSEMBLY	8
18-1	COVER LOCK AND LANTERN GUARD	9
18-2	SPLICER BODY COVER	10

ALPHABETICAL INDEX

NOTE: Attaching parts are not included in this index. They are listed in the body indented under the part which they attach. For example: To find the attaching parts for tongue angle, look up "ANGLE, tongue" in this index and turn to the group shown. The attaching parts will be found under "ANGLE, tongue."

Item	Group	Item	Group
ADAPTER, bearing	1301A	HUB w/DISC, wheel, w/BEARINGS, CUPS, and OIL SEALS, assembly	1301
ANGLE, front	1501A	JOINT, top, assembly	1813
ANGLE, tongue, left	1501A	LEAF, spring	1601A
ANGLE, tongue, right	1501A	LEG, lower section	1501A
BEAM, axle	1108	LEG, upper section	1501A
BOLT, box hinge lock	1813	LINK, spring shackle	1602
BOLT, spring shackle	1602	LOCK, assembly	1813
BOLT, spring tie	1602	NUT, axle beam	1108
BOX, rear	1813	NUT, adjusting, hand support leg	1501A
BRACE, leg, left	1501A	NUT, spring shackle bolt	1602
BRACE, leg, right	1501A	NUT, spring tie bolt	1602
BRACKET, license plate and tail light	1813	NUT, spring U-bolt	1602
BRACKET, shield, front	1813	PAD, spring axle base	1602
BRACKET, shield, rear	1813	PIN, cotter, axle nut	1108
BRACKET, spring, front, w/OIL-LESS BUSH- ING	1500	PIN, cotter, spring shackle bolt nut	1602
BRACKET, spring, rear, w/OIL-LESS BUSH- ING	1500	PLATE, identification	2203
U-BOLT, latch lock	1813	PLATE, spring clip	1602
U-BOLT, main spring	1602	PULL, door, rear	1813
CONE and ROLLERS, taper roller bearing	1301A	RETAINER, lantern guard	1813
CUP, taper roller bearing	1301A	RETAINER, oil seal	1301B
CHAIN, safety, towing	2304C	SPACER, spring clip	1602
EYE, coupling	1501A	SPRING, main, w/SPRING CLIPS and BUSH- INGS, assembly	1601A
FENDER, left	1813	STRAP, back, long (lock assembly)	1813
FENDER, right	1813	STRAP, back, short (lock assembly)	1813
FITTING, lubricating, straight, shackle bolt	1602	TIRE, 4.00 x 18 motorcycle type	2306
GUARD, lantern	1813	TONGUE, assembly	1501A
HAND GRIP, tongue	1501A	TUBE, 4.00 x 18 motorcycle type	2306
HINGE, box	1813	U-BOLT, latch lock	1813
HINGE, top	1813	U-BOLT, main spring	1602
HOLDER, lantern	1813	WASHER, lock, hand nut	1501A
		WASHER, plain, axle nut	1108
		WASHER, plain, hand nut	1501A

PART NUMBER INDEX—ORDNANCE

Number	Group	Number	Group	Number	Group
CLDX9	1602	103387	1108	220065	1813
103045	1501A	103579	1813	222950	1501A
	1813	104084	1501A		1813
103047	1602	104087	1501A	222951	1813
103050	1108	104099	1501A	223591	1602
103329	1501A	104103	1501A	705370	1301A
103343	1501A	110437	1501A	705402	1301A
103346	1108	218564	1602	706807	1301A
103373	1501A	218571	1602	706821	1301A
103374	1602				

OFFICIAL STOCK NUMBER INDEX

Number	Group	Number	Group	Number	Group
H001-0116197	1602	H001-0811054	1108	H001-1516011	1501A
H001-0713001	1602	H001-0924084	1501A	H001-1530011	1501A
H001-0713004	1108	H001-0924148	1501A	H001-1530015	1108
H001-0713024	1501A	H001-0924152	1501A	H002-0504208	1602
	1813	H001-0924226	1501A	H012-6132140	1301A
H001-0718002	1813	H001-0924335	1501A	H012-6136380	1301A
H001-0718022	1602	H001-1014072	1501A	H012-6215430	1301A
H001-0718025	1602		1813	H012-6217320	1301A
H001-0811039	1501A	H001-1014073	1813	H014-512750	2306
H001-0811040	1602	H001-1516008	1813	H014-519332	2306

PART NUMBER INDEX—MANUFACTURERS'

(FWD) FOUR WHEEL DRIVE AUTO COMPANY

FWD-18D-A-88	1301A	FWD-17802	1602	FWD-105035	1602
FWD-4042	1602	FWD-17955	1601A	FWD-105084	1602
FWD-4045	1602	FWD-17956	1601A	FWD-105103	1813
FWD-4216	1602	FWD-17957	1601A	FWD-105104	1813
FWD-4252	1602	FWD-17958	1601A	FWD-105105	1813
	1813	FWD-17959	1601A	FWD-105106	1813
FWD-4352	1108	FWD-17960	1601A	FWD-18D-H-1970	1301
	1602	FWD-17961	1601A	FWD-25A-1980	1602
FWD-174-A-77-A	2304C	FWD-18D-C-352	1302	FWD-9A-09196	1301A
FWD-17767	1500	FWD-248-B-25	1108	FWD-9A-09074	1301A
FWD-17768	1500	FWD-43KK-482	1813	FWD-9A-14137A	1301A
FWD-17769	1602	FWD-105004	1602	FWD-9A-14276	1301A
FWD-17770	1602	FWD-105031	2203	FWD-18A-T50000	1301B
FWD-17801	1602				

PRITZLAFF HARDWARE COMPANY

PHC-482 1813

TIMKEN ROLLER BEARING CO.

TIM-1413A 1301A	TIM-09196 1301A	TIM-50000 1301B
TIM-09074 1301A		

ALEMITE DIV. (STEWART-WARNER CORP.)

AD-1980 1602

AMERICAN TELEPHONE & TELEGRAPH COMPANY

ATT-117-E-1	1813	ATT-117-E-15	1813	ATT-237-B-61	1813
ATT-117-E-2	1813	ATT-117-E-16	1813	ATT-237-B-59L	1501A
ATT-117-E-8	1501A	ATT-117-E-82	1501A	ATT-237-B-59R	1501A
ATT-112-E-96	1813	ATT-167-A-20	1813	ATT-237-B-67	1813
ATT-117-E-10	1501A	ATT-174-A-77	1501A	ATT-237-B-81	1813
ATT-117-E-11	1501A	ATT-174-A-77-A	2304C	ATT-237-B-82	1813
ATT-117-E-12	1501A	ATT-178-A-42	1813	ATT-248-B-25	1108
ATT-117-E-13L	1501A	ATT-237-B-47	1813		
ATT-117-E-13R	1501A	ATT-237-B-60	1501A		



Don't be a dope!
**DON'T STRIP
"TRADE-INS"**

No more good than the bag at the left
Is a "trade-in" of parts quite bereft
Like the "teaser" above
Only mother can love
The Joe Dope who at part-swiping's deft!



ORD 9 SNL G-685 TRAILER, TELEPHONE CABLE SPICER, ¼-TON K-38 (FOUR WHEEL DRIVE AUTO CO.) 1 JANUARY 1945